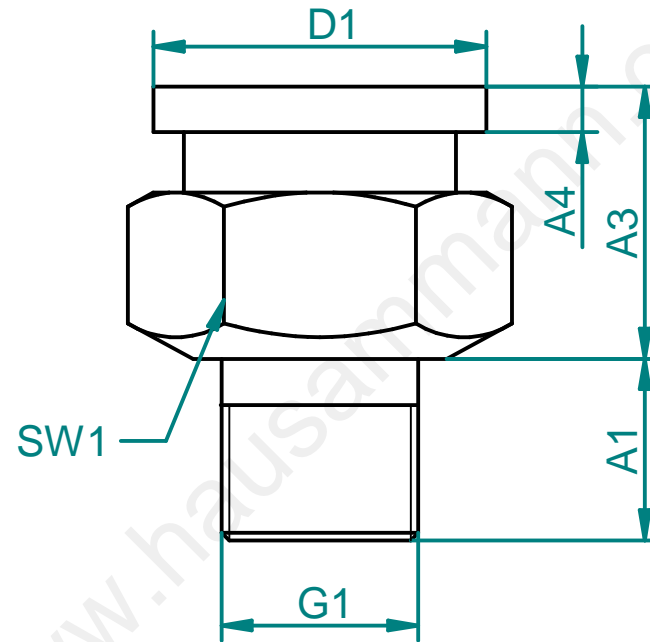



General tolerances ISO 2768-m						Index	Date	Visum	Modification	Index	Date	Visum	Modification
Basic-size	...6	> 6 ...30	> 30 ...120	>120 ...400	> 400 ...1000								
medium	±0.1	±0.2	±0.3	±0.5	±0.8								



Specifications points D,K,H	
D= doc.points	
K= critical	
H= main	

Accord-draw.no.: Origin-draw.no.: Replacement for:	Material:									
	Stahl verzinkt									
	Scale									
	<b>2:1</b>									
		<table border="1"> <tr> <th>Date</th> <th>Visum</th> <th>Phone</th> </tr> <tr> <td>27.06.11</td> <td>E.Z</td> <td></td> </tr> </table>	Date	Visum	Phone	27.06.11	E.Z			
Date	Visum	Phone								
27.06.11	E.Z									
		03.350	<table border="1"> <tr> <th>Format</th> <th>Index</th> </tr> <tr> <td><b>A4</b></td> <td><b>00</b></td> </tr> </table>	Format	Index	<b>A4</b>	<b>00</b>			
Format	Index									
<b>A4</b>	<b>00</b>									
										
		<b>HAUSAMMANN</b> KOMponenten PRODUKTION SYSTEME								
		© 2010, Für dieses Dokument behalten wir uns alle Rechte vor. © 2010, Nous nous reservons tous les droits sur ce document © 2010, We reserve all rights in connection with this document								